



SoloTech™ Repair Kits

407147B

Hoses, Barbs, Cover, Hose Clamps, Gaskets

EN



Important Safety Instructions

Read all warnings and instructions in the SoloTech™ Peristaltic Pump Operation and Repair/Parts manuals. Save all instructions.



WARNING

FIRE AND EXPLOSION HAZARD

To reduce the risk of fire or explosion that can result from static sparking or chemical incompatibility:

- All pumps ship with glycerin hose lubricant. Verify hose lubricant is compatible with your pumped fluid. Do not use glycerin hose lubricant if pumping strong oxidizers or acids.
- Keep the pump properly filled with genuine Graco hose lubricant.

Hose Kits

Hose Material	ST10	ST23	ST26	ST30
Natural Rubber (NR)	24Y797	24Y801	24Y805	24Y809
CSM (CS)	24Y798	24Y802	24Y806	24Y810
EPDM (EP)	24Y799	24Y803	NA	NA
Nitrile (BN)	24Y800	24Y804	24Y808	24Y812

Kits include:

Ref.	Description	Qty.
14	HOSE	1

Barb Kits

Barb Material	ST10	ST23	ST26	ST30
Stainless Steel (SS)	24Y813	24Y816	24Y819	24Y822
PVDF (PV)	24Y814	24Y817	24Y820	24Y823
Hastelloy (HS)	24Y815	24Y818	24Y821	24Y824

Kits include:

Ref.	Description	Qty.
28	BARB, hose	1
44	O-RING	1

Hose Clamp Kits

ST10	ST23	ST26	ST30
24Y825	24Y826	24Y827	24Y828

Kits include:

Ref.	Description	Qty.
24	CLAMP, hose	2

Hose Lubricant Kits

Glycerin Hose Lubricant

24K691	1-quart (0.95 liter)
24Y920	2-quart (1.89 liter)
24K693	1-gallon (3.79 liter)
24M435	55-gallon (208 liter)

Silicone Hose Lubricant

24K686	1-gallon (3.79 liter)
24M434	55-gallon (208 liter)

Front Cover Kits

ST10	ST23	ST26	ST30
24Y829	24Y830	24Y831	24Y832

Kits include:

Ref.	Description	Qty.
15	GASKET, front cover	1
16	COVER, front, assembly	1
17	O-RING, handle	
	ST10, ST23	2
	ST26, ST30	3
18	O-RING, sightglass seal	1
19	HANDLE, cover	
	ST10, ST23	2
	ST26, ST30	3
20	SIGHTGLASS	1
22	SCREW, handle, M6-1 x 25 mm	
	ST10, ST23	8
	ST26, ST30	12
23	SCREW, sightglass, M6-1 x 16 mm	6
29	PLUG, hex, 3/4 npt	
	ST10, ST23	1
	ST26, ST30	2
30	VENT, breather, muffler, 3/4 npt	1
45	SCREW, cover, flange head,	
	ST10, ST23, (M6-1 x 20mm)	8
	ST26 (M8-1.25 x 25mm)	8
	ST30 (M10-1.5 x 30mm)	10
52	WASHER, lock, spring	
	ST10 and ST23	0
	ST26	8
	ST30	10
53	WASHER, flat, ST26 and ST30	
	ST10 and ST23	0
	ST26	8
	ST30	10

Gasket Kits

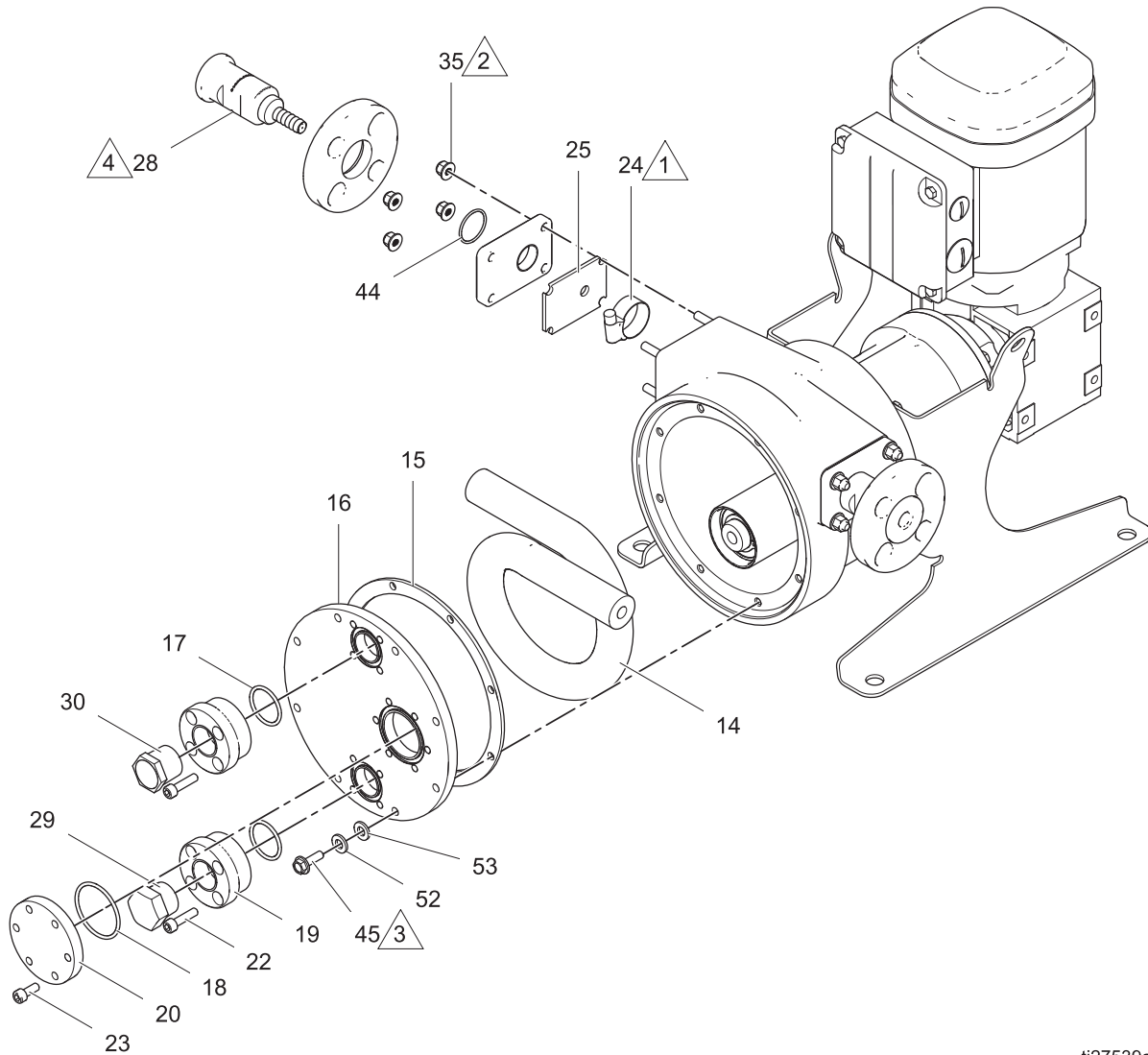
ST10	ST23	ST26	ST30
24Y833	24Y834	24Y835	24Y836

Kits include:

Ref.	Description	Qty.
15	GASKET, front cover	1
25	GASKET, hose plate	2

See page 3 for parts illustration and installation notes.

NOTE: Reference numbers match the Repair and Parts manual. See that manual for full instructions on installation.



ti27539a

- △1 Torque to 25 ft-lb (33.9 N•m) plus one full turn.
- △2 ST10 and ST23: Torque to 8 ft-lb (10.8 N•m).
ST26 and ST30: Torque to 18-ft-lb (24.4 N•m).
- △3 ST10 and ST23: Torque to 8 ft-lb (10.8 N•m).
ST26: Torque to 18-ft-lb (24.4 N•m).
ST30: Torque to 32-ft-lb (43.4 N•m).
- △4 ST10: Torque to 20 ft-lb (27.1 N•m).
ST23: Torque to 30 ft-lb (40.7 N•m).
ST26 and ST30: Torque to 40-ft-lb (54.2 N•m).

All written and visual data contained in this document reflects the latest product information available at the time of publication. Graco reserves the right to make changes at any time without notice.

This manual contains English. MM 407147

Graco Headquarters: Minneapolis
International Offices: Belgium, China, Japan, Korea

GRACO INC. AND SUBSIDIARIES • P.O. BOX 1441 • MINNEAPOLIS, MN 55440-1441

Copyright 2015, Graco Inc. All Graco manufacturing locations are registered to ISO 9001.

www.graco.com

Revision B, May 2018