



This manual contains important warnings and information.
READ AND KEEP FOR REFERENCE.

First choice when quality counts.™

16-Gallon (61 liter) Drum Size

Used-Oil Receiver

Model 239301, Series A, with Drum and Drain Valve

Model 239302, Series A, without Drum and Drain Valve

Installation

Secure an empty 16-gallon (61 liter) steel drum to the base with the clamps and nuts, as shown. Position the cover and funnel assembly on the drum, and secure it to the drum with thumbscrews (6).

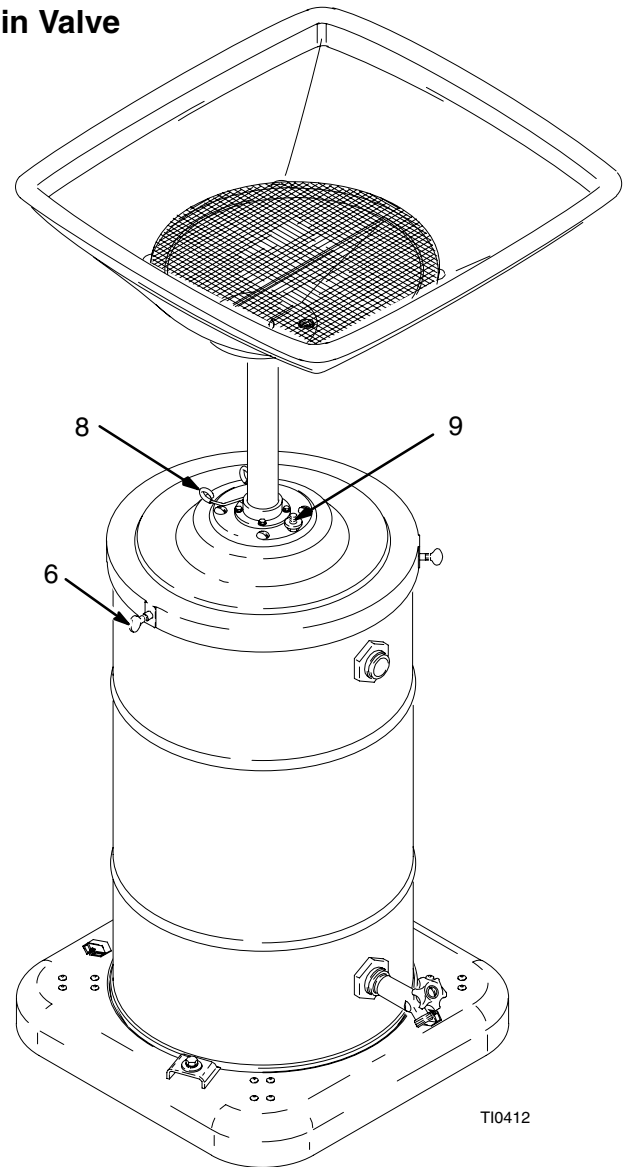
Operation

Position the receiver beneath the crankcase to be drained.

To raise the funnel, squeeze the ends of torsion spring (8) together with one hand, grasp the tube with the other hand, lift it to the desired height, and release the ends of the spring.

To lower the funnel, squeeze the ends of the torsion spring (8).

As the oil level nears the top of the drum, the float cap (9) rises to warn the operator to empty the drum.



T10412

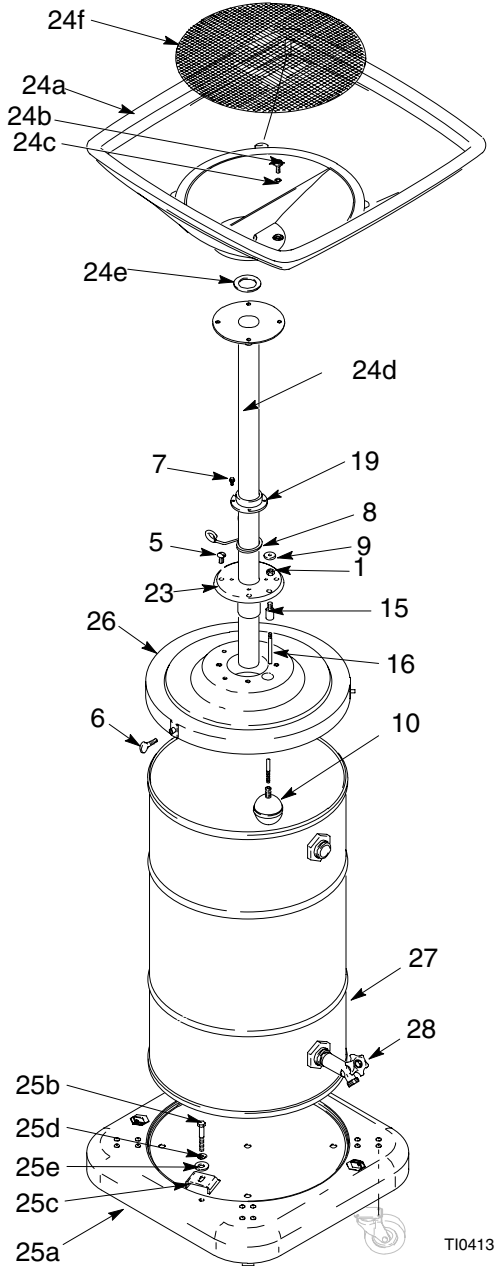
GRACO INC. P.O. BOX 1441 MINNEAPOLIS, MN 55440-1441

©COPYRIGHT 1990, GRACO INC.

Graco Inc. is registered to I.S. EN ISO 9001

Parts Drawing

239301, Series A, Includes items 1 through 28
 239302, Series A, Includes items 1 through 26



TI0413

Parts List

Ref No.	Part No.	Description	Qty.
1	100070	NUT, hex full; 1/4-28	1
5	100333	SCREW, hex hd mach; 1/4-20 x 0.50"	4
6	101518	SCREW, thumb; 5/16-18 x 1.5"	3
7	100078	SCREW, hex head; no. 8-32 x 0.38"	4
8	104820	SPRING, torsion	1
9	151130	CAP, float rod	1
10	156619	FLOAT, ball	1
15	159917	GUIDE, float rod	1
16	159929	ROD, float	1
19	175033	BRACKET, spring retainer	1
23	214672	COLLAR ADAPTER	1
24	243650	FUNNEL ASSEMBLY	1
24a		FUNNEL	1
24b		SCREW, machine, pan head, 5/16-18 UNC	4
24c	111959	O-RING	4
24d		TUBE, drain	1
24e	116092	GASKET	1
24f	196562	STRAINER	1
25	203622	BASE Assembly <i>Includes items 25a through 25e</i>	
25a	191750	•BASE	1
25b	102547	•BOLT, hex hd; 5/16"-18 x 1.5"	2
25c	191747	•BRACKET	2
25d	100214	•WASHER, lock	2
25e	100132	•WASHER, flat	2
26	204574	DRUM COVER Assembly <i>Includes item 6</i>	1
27	113926	DRUM; 16 gallon (61 liter)	
28	107247	DRAIN VALVE	1

Graco Phone Number

TO PLACE AN ORDER, contact your Graco distributor, or call this number to identify the distributor closest to you:

1-800-533-9655 Toll Free

612-623-6928

612-378-3590 Fax

All written and visual data contained in this document reflects the latest product information available at the time of publication. Graco reserves the right to make changes at any time without notice.

Sales Office: Minneapolis

International Offices: Belgium, Korea, Hong Kong, Japan

GRACO INC. P.O. BOX 1441 MINNEAPOLIS, MN 55440-1441

www.graco.com

306449 June 1954, Revised July 2007